

Rainfinity
Overhead shower 250 1jet with wall connector
 Surfaces: **Chrome** Article Number: **26226000**



Description

product features

- consists of: overhead shower, wall connector
- shower head size: 250 mm
- spray type: PowderRain
- projection 273 mm
- middle spray disc: 151 mm
- material spray disc: aluminium
- spray disc surface: graphite
- shower head vertically inclinable by 10-30°
- maximum flow rate at 3 bar: 19 l/min
- flow rate PowderRain spray (at 3 bar): 19 l/min
- minimum flow pressure: 1,4 bar
- overhead shower removable for cleaning
- installation: wall
- connection thread G ½
- connection dimension: DN15
- not suitable for continuous flow water heaters

Technology



Design awards

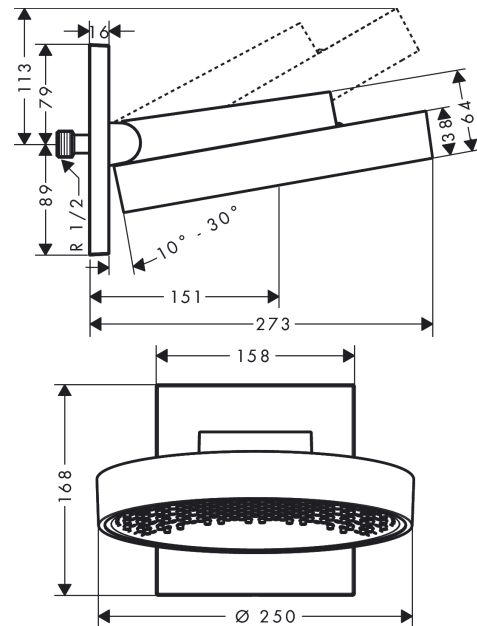


reddot award 2019
best of the best

Product image



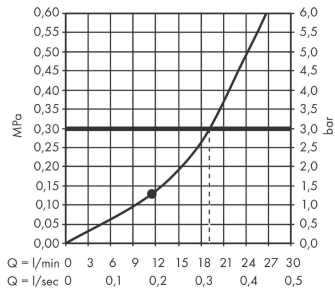
Scale drawing



Rainfinity
Overhead shower 250 1jet with wall connector
 Surfaces: **Chrome** Article Number: **26226000**



Flowchart

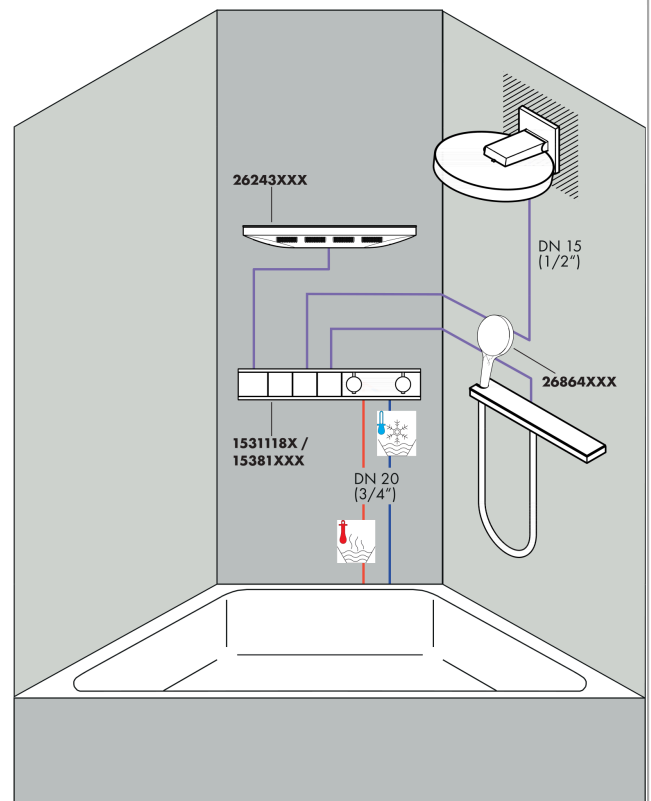
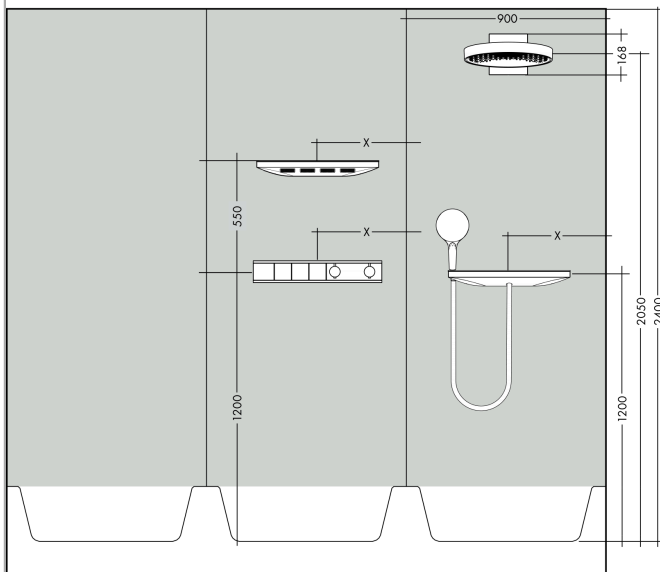


The consumption was measured in combination with the appropriate fittings (thermostat/mixer/in-wall valve) to reflect actual application in practice.

Rainfinity
Overhead shower 250 1jet with wall connector
 Surfaces: **Chrome** Article Number: **26226000**



Installation examples

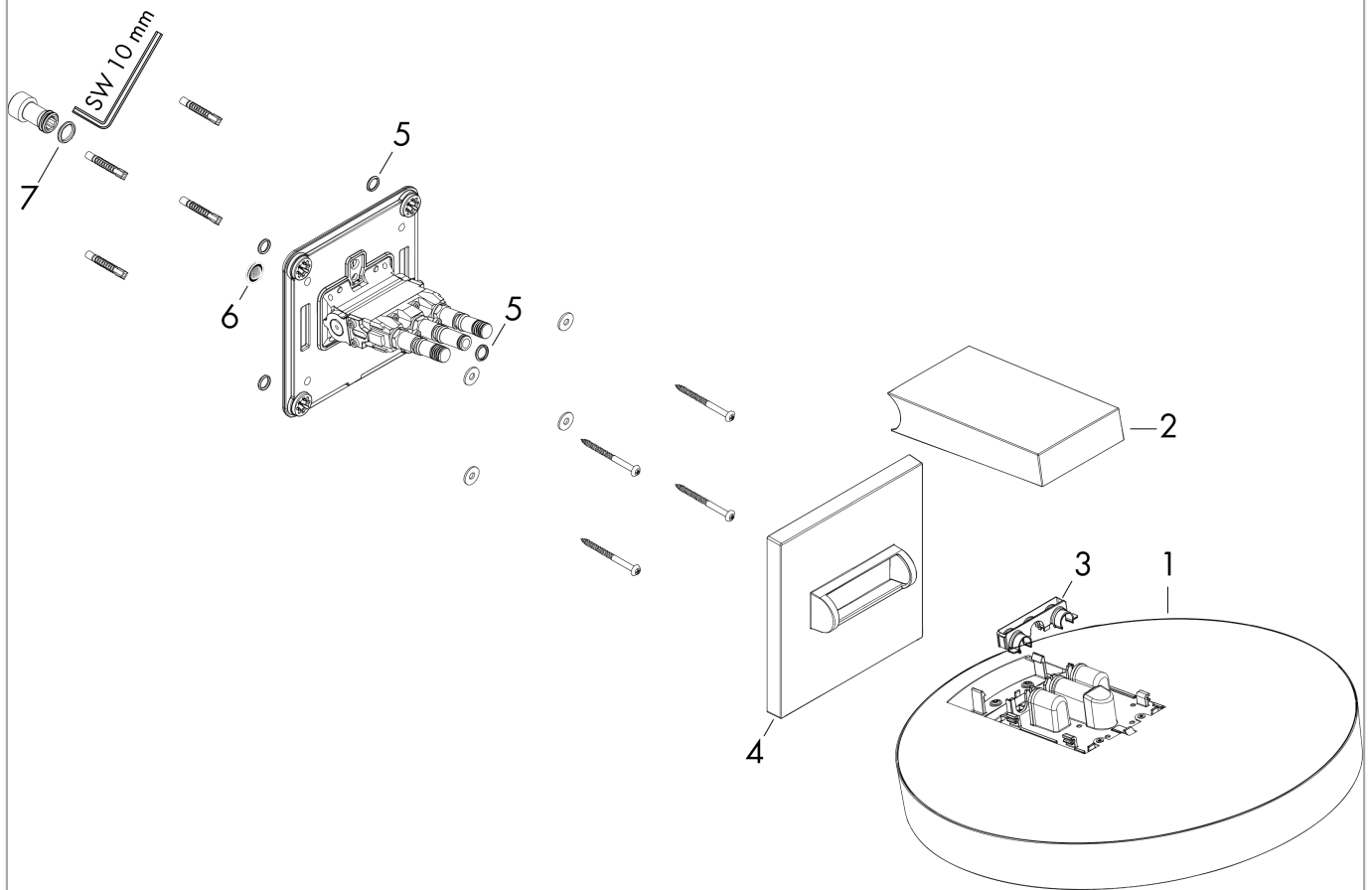


Rainfinity
Overhead shower 250 1jet with wall connector
 Surfaces: **Chrome** Article Number: **26226000**



Exploded Drawing

Year of production: >07/19



Rainfinity
Overhead shower 250 1jet with wall connector
 Surfaces: **Chrome** Article Number: **26226000**



Spare part list

Year of production: >07/19

| Pos. | Description | Article Number | Price | PU |
|------|----------------|----------------|-------|----|
| 1 | head shower | 93664000 | - | 1 |
| 2 | cover | 93524000 | - | 1 |
| 3 | cramp | 93525000 | - | 1 |
| 4 | escutcheon | 93523000 | - | 1 |
| 5 | O-ring 9x2 | 98119000 | - | 1 |
| 6 | filter packing | 93774000 | - | 1 |
| 7 | O-ring 13x2,5 | 98428000 | - | 1 |